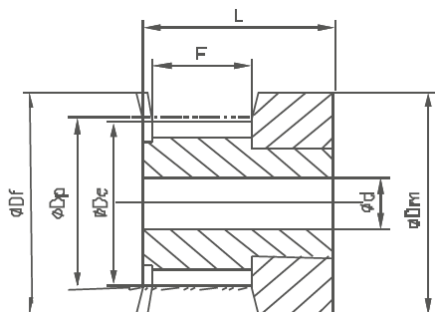
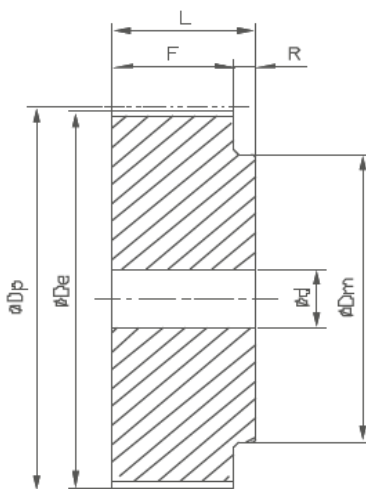


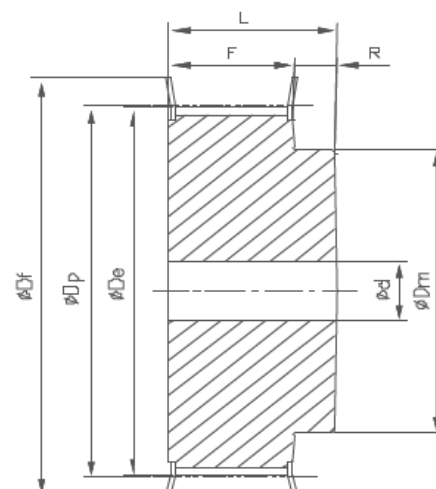
## TIPOVI ZUPČASTIH REMENICA



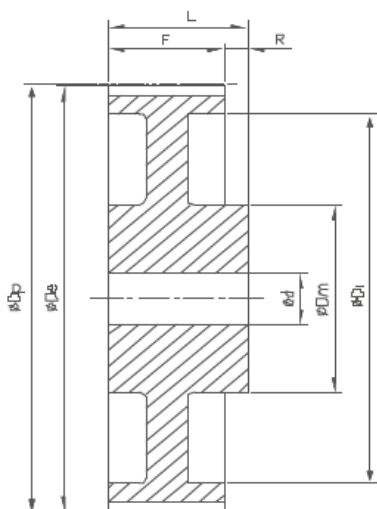
tip 1F



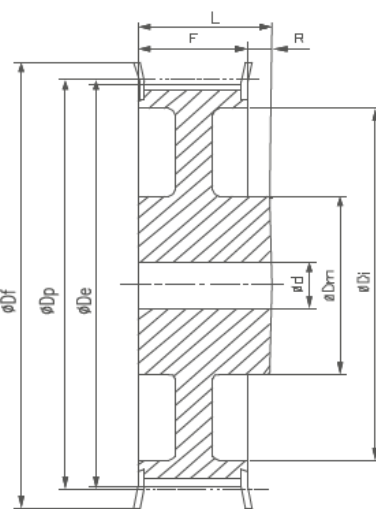
tip 6



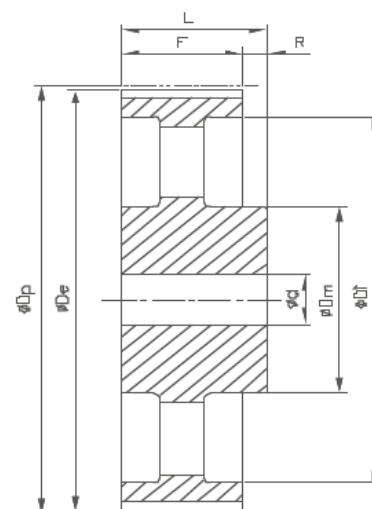
tip 6F



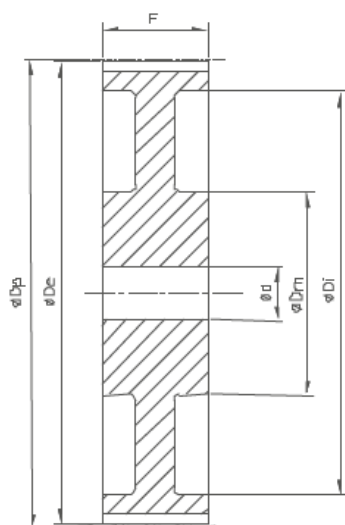
tip 6W



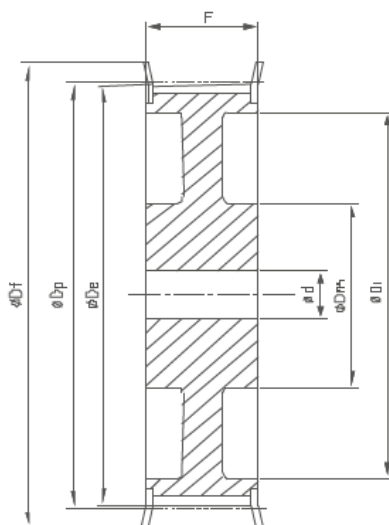
tip 6WF



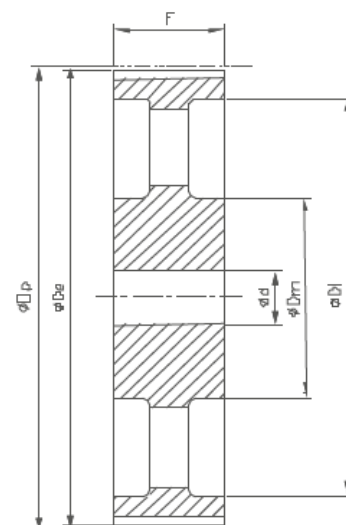
tip 6A



tip 10W



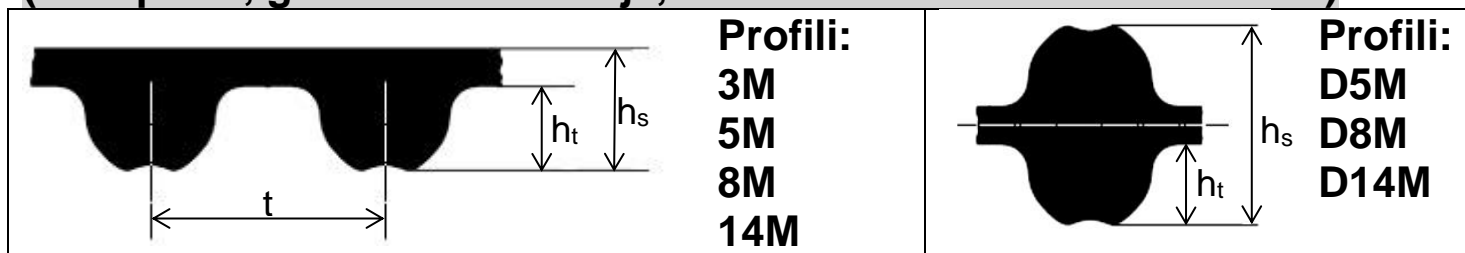
tip 10WF



tip 10A

**Materijal zupčastih remenica može biti: AL=Aluminijum, ST=Čelik, GG=Sivi liv**

## ZUPČASTE REMENICE za zupčaste kaiševe sa metričkim korakom (HTD profil, gumeni – crne boje, sa kordom od staklenih vlakana)



Profil →	3M	5M	8M	14M	D5M	D8M	D14M
t (mm)	3.00	5.00	8.00	14.00	5.00	8.00	14.00
hs (mm)	2.30	3.40	5.40	9.50	5.258	7.73	14.05
ht (mm)	1.10	1.90	3.20	5.60	1.9	3.2	5.6

### PRIMER OZNAČAVANJA:

Zupčasta remenica 3M, z=010 / 006 (ili po OPTIBELT sistemu označavanja **10 3M 6**)  
(zupčasta remenica profila 3M, sa brojem zuba 10, za kaiš širine 6 mm)

**Materijal: AL=Aluminijum, ST=Čelik, GG=Sivi liv**

Profil: 3M Korak: 3 mm Širina kaiša: 6 mm	Broj zuba Z	Širina kaiša (mm)	Tip	Mate-rijal	De (mm)	F (mm)	L (mm)	Dm (mm)	d (mm)	d <sub>max</sub> (mm)
3M, z=010 / 006	10	6	1F	AL	8.79	7.2	14.5	13	-	3
3M, z=012 / 006	12	6	1F	AL	10.70	7.2	14.5	15	-	5
3M, z=014 / 006	14	6	1F	AL	12.61	7.2	14.5	16	-	6
3M, z=015 / 006	15	6	1F	AL	13.56	7.2	14.5	17.5	-	6
3M, z=016 / 006	16	6	6F	AL	14.52	9.8	17.5	10	-	7
3M, z=018 / 006	18	6	6F	AL	16.43	9.8	17.5	11	-	8
3M, z=020 / 006	20	6	6F	AL	18.34	9.8	17.5	13	-	9
3M, z=021 / 006	21	6	6F	AL	19.29	9.8	17.5	13	-	9
3M, z=022 / 006	22	6	6F	AL	20.25	9.8	17.5	13	-	9
3M, z=024 / 006	24	6	6F	AL	22.16	9.8	17.5	13	-	9
3M, z=026 / 006	26	6	6F	AL	24.07	9.8	17.5	16	-	11
3M, z=028 / 006	28	6	6F	AL	25.98	9.8	17.5	18	-	12
3M, z=030 / 006	30	6	6F	AL	27.89	9.8	17.5	20	-	14
3M, z=032 / 006	32	6	6F	AL	29.80	9.8	17.5	22	-	15
3M, z=036 / 006	36	6	6F	AL	33.62	10.3	18	26	-	16
3M, z=040 / 006	40	6	6F	AL	37.44	10.3	18	28	-	18
3M, z=044 / 006	44	6	6F	AL	41.26	10.3	18	33	-	20
3M, z=048 / 006	48	6	6	AL	45.08	10.3	18.6	33	8	20
3M, z=060 / 006	60	6	6	AL	56.54	10.3	18.6	33	8	20
3M, z=072 / 006	72	6	6	AL	67.99	10.3	18.6	33	8	20
Profil: 3M Korak: 3 mm Širina kaiša: 9 mm	Broj zuba Z	Širina kaiša (mm)	Tip	Mate-rijal	De (mm)	F (mm)	L (mm)	Dm (mm)	d (mm)	d <sub>max</sub> (mm)
3M, z=010 / 009	10	9	1F	AL	8.79	10.2	17.5	13	-	3
3M, z=012 / 009	12	9	1F	AL	10.70	10.2	17.5	15	-	5
3M, z=014 / 009	14	9	1F	AL	12.61	10.2	17.5	16	-	6
3M, z=015 / 009	15	9	1F	AL	13.56	10.2	17.5	17.5	-	6
3M, z=016 / 009	16	9	6F	AL	14.52	12.8	20.6	10	-	7
3M, z=018 / 009	18	9	6F	AL	16.43	12.8	20.6	10.6	-	8
3M, z=020 / 009	20	9	6F	AL	18.34	12.8	20.6	12.4	-	9
3M, z=021 / 009	21	9	6F	AL	19.29	12.8	20.6	13	-	9
3M, z=022 / 009	22	9	6F	AL	20.25	12.8	20.6	13	-	9

3M, z=024 / 009	24	9	6F	AL	22.16	12.8	20.6	13	-	9
3M, z=026 / 009	26	9	6F	AL	24.07	12.8	20.6	16	-	11
3M, z=028 / 009	28	9	6F	AL	25.98	12.8	20.6	18	-	12
3M, z=030 / 009	30	9	6F	AL	27.89	12.8	20.6	20	-	14
3M, z=032 / 009	32	9	6F	AL	29.80	12.8	20.6	22	-	15
3M, z=036 / 009	36	9	6F	AL	33.62	13.4	22.2	26	-	16
3M, z=040 / 009	40	9	6F	AL	37.44	13.4	22.2	28	-	18
3M, z=044 / 009	44	9	6F	AL	41.26	13.4	22.2	33	-	20
3M, z=048 / 009	48	9	6	AL	45.08	13.4	22.2	33	8	20
3M, z=060 / 009	60	9	6	AL	56.54	13.4	22.2	33	8	20
3M, z=072 / 009	72	9	6	AL	67.99	13.4	22.2	33	8	20
<b>Profil: 3M</b> Korak: 3 mm Širina kaiša: 15 mm	<b>Broj zuba Z</b>	<b>Širina kaiša (mm)</b>	<b>Tip</b>	<b>Mate-rijal</b>	<b>D<sub>e</sub> (mm)</b>	<b>F (mm)</b>	<b>L (mm)</b>	<b>D<sub>m</sub> (mm)</b>	<b>d (mm)</b>	<b>d<sub>max</sub> (mm)</b>
3M, z=010 / 015	10	15	1F	AL	8.79	17	26	13	-	3
3M, z=012 / 015	12	15	1F	AL	10.70	17	26	15	-	5
3M, z=014 / 015	14	15	1F	AL	12.61	17	26	16	-	6
3M, z=015 / 015	15	15	1F	AL	13.56	17	26	17.5	-	6
3M, z=016 / 015	16	15	6F	AL	14.52	19.5	26	10	-	7
3M, z=018 / 015	18	15	6F	AL	16.43	19.5	26	11	-	8
3M, z=020 / 015	20	15	6F	AL	18.34	19.5	26	13	-	9
3M, z=021 / 015	21	15	6F	AL	19.29	19.5	26	14	-	9
3M, z=022 / 015	22	15	6F	AL	20.25	19.5	26	14	-	9
3M, z=024 / 015	24	15	6F	AL	22.16	19.5	26	14	-	9
3M, z=026 / 015	26	15	6F	AL	24.07	19.5	26	16	-	11
3M, z=028 / 015	28	15	6F	AL	25.98	19.5	26	18	-	12
3M, z=030 / 015	30	15	6F	AL	27.89	19.5	26	20	-	14
3M, z=032 / 015	32	15	6F	AL	29.80	19.5	26	22	-	15
3M, z=036 / 015	36	15	6F	AL	33.62	20	30	26	-	16
3M, z=040 / 015	40	15	6F	AL	37.44	20	30	28	-	18
3M, z=044 / 015	44	15	6F	AL	41.26	20	30	33	-	20
3M, z=048 / 015	48	15	6	AL	45.08	20	30	33	8	20
3M, z=060 / 015	60	15	6	AL	56.54	20	30	33	8	20
3M, z=072 / 015	72	15	6	AL	67.99	20	30	33	8	20
<b>Profil: 5M</b> Korak: 5 mm Širina kaiša: 9 mm	<b>Broj zuba Z</b>	<b>Širina kaiša (mm)</b>	<b>Tip</b>	<b>Mate-rijal</b>	<b>D<sub>e</sub> (mm)</b>	<b>F (mm)</b>	<b>L (mm)</b>	<b>D<sub>m</sub> (mm)</b>	<b>d (mm)</b>	<b>d<sub>max</sub> (mm)</b>
5M, z=012 / 009	12	9	6F	ST	17.96	14.5	20	12	-	7
5M, z=014 / 009	14	9	6F	ST	21.14	14.5	20	13	-	8
5M, z=015 / 009	15	9	6F	ST	22.73	14.5	20	16	-	10
5M, z=016 / 009	16	9	6F	ST	24.32	14.5	20	16.2	-	10
5M, z=018 / 009	18	9	6F	ST	27.51	14.5	20	20	-	12
5M, z=020 / 009	20	9	6F	ST	30.69	14.5	22.5	23	-	14
5M, z=021 / 009	21	9	6F	ST	32.28	14.5	22.5	24	-	14
5M, z=022 / 009	22	9	6F	ST	33.87	14.5	22.5	25.5	-	14
5M, z=024 / 009	24	9	6F	ST	37.06	14.5	22.5	27	-	16
5M, z=026 / 009	26	9	6F	ST	40.24	14.5	22.5	30	-	18
5M, z=028 / 009	28	9	6F	ST	43.42	14.5	22.5	30.5	-	18
5M, z=030 / 009	30	9	6F	ST	46.61	14.5	22.5	35	-	20
5M, z=032 / 009	32	9	6F	ST	49.79	14.5	22.5	38	8	22
5M, z=036 / 009	36	9	6F	ST	56.16	14.5	22.5	38	8	22
5M, z=040 / 009	40	9	6F	ST	62.52	14.5	22.5	38	8	22
5M, z=044 / 009	44	9	6W	AL	68.89	14.5	22.5	38	8	22
5M, z=048 / 009	48	9	6W	AL	75.25	14.5	22.5	45	8	25
5M, z=060 / 009	60	9	6W	AL	94.35	14.5	22.5	45	8	25
5M, z=072 / 009	72	9	6W	AL	113.45	14.5	22.5	45	8	25

Profil: 5M Korak: 5 mm Širina kaiša: 15 mm	Broj zuba Z	Širina kaiša (mm)	Tip	Mate-rijal	D <sub>e</sub> (mm)	F (mm)	L (mm)	D <sub>m</sub> (mm)	d (mm)	d <sub>max</sub> (mm)
5M, z=012 / 015	12	15	6F	ST	17.96	20.5	26	13	-	7
5M, z=014 / 015	14	15	6F	ST	21.14	20.5	26	14	-	8
5M, z=015 / 015	15	15	6F	ST	22.73	20.5	26	16	-	10
5M, z=016 / 015	16	15	6F	ST	24.32	20.5	26	16.5	-	10
5M, z=018 / 015	18	15	6F	ST	27.51	20.5	26	20	-	12
5M, z=020 / 015	20	15	6F	ST	30.69	20.5	26	23	-	14
5M, z=021 / 015	21	15	6F	ST	32.28	20.5	26	24	-	14
5M, z=022 / 015	22	15	6F	ST	33.87	20.5	26	25.5	-	14
5M, z=024 / 015	24	15	6F	ST	37.06	20.5	28	27	-	16
5M, z=026 / 015	26	15	6F	ST	40.24	20.5	28	30	-	18
5M, z=028 / 015	28	15	6F	ST	43.42	20.5	28	30.5	-	18
5M, z=030 / 015	30	15	6F	ST	46.61	20.5	28	35	-	20
5M, z=032 / 015	32	15	6F	ST	49.79	20.5	28	38	8	22
5M, z=036 / 015	36	15	6F	ST	56.16	20.5	28	38	8	22
5M, z=040 / 015	40	15	6F	ST	62.52	20.5	28	38	8	22
5M, z=044 / 015	44	15	6W	AL	68.89	20.5	30	38	8	22
5M, z=048 / 015	48	15	6W	AL	75.25	20.5	30	38	8	25
5M, z=060 / 015	60	15	6W	AL	94.35	20.5	30	50	8	25
5M, z=072 / 015	72	15	6W	AL	113.45	20.5	30	50	8	25
Profil: 5M Korak: 5 mm Širina kaiša: 25 mm	Broj zuba Z	Širina kaiša (mm)	Tip	Mate-rijal	D <sub>e</sub> (mm)	F (mm)	L (mm)	D <sub>m</sub> (mm)	d (mm)	d <sub>max</sub> (mm)
5M, z=012 / 025	12	25	6F	ST	17.96	30.5	36	12	-	7
5M, z=014 / 025	14	25	6F	ST	21.14	30.5	36	13	-	8
5M, z=015 / 025	15	25	6F	ST	22.73	30.5	36	16	-	10
5M, z=016 / 025	16	25	6F	ST	24.32	30.5	36	16.5	-	10
5M, z=018 / 025	18	25	6F	ST	27.51	30.5	36	20	-	12
5M, z=020 / 025	20	25	6F	ST	30.69	30.5	36	23	-	14
5M, z=021 / 025	21	25	6F	ST	32.28	30.5	38.5	24	-	14
5M, z=022 / 025	22	25	6F	ST	33.87	30.5	38.5	25.5	-	14
5M, z=024 / 025	24	25	6F	ST	37.06	30.5	38.5	27	-	16
5M, z=026 / 025	26	25	6F	ST	40.24	30.5	38.5	30	-	18
5M, z=028 / 025	28	25	6F	ST	43.42	30.5	38.5	30.5	-	18
5M, z=030 / 025	30	25	6F	ST	46.61	30.5	38.5	35	-	20
5M, z=032 / 025	32	25	6F	ST	49.79	30.5	38.5	38	8	22
5M, z=036 / 025	36	25	6F	ST	56.16	30.5	38.5	38	8	22
5M, z=040 / 025	40	25	6F	ST	62.52	30.5	38.5	38	8	22
5M, z=044 / 025	44	25	6W	AL	68.89	30.5	40	38	8	22
5M, z=048 / 025	48	25	6W	AL	75.25	30.5	40	45	8	25
5M, z=060 / 025	60	25	6W	AL	94.35	30.5	40	45	8	25
5M, z=072 / 025	72	25	6W	AL	113.45	30.5	40	45	8	25
Profil: 8M Korak: 8 mm Širina kaiša: 20 mm	Broj zuba Z	Širina kaiša (mm)	Tip	Mate-rijal	D <sub>e</sub> (mm)	F (mm)	L (mm)	D <sub>m</sub> (mm)	d (mm)	d <sub>max</sub> (mm)
8M, z=022 / 020	22	20	6F	ST	54.65	28	38	43	12	30
8M, z=024 / 020	24	20	6F	ST	59.75	28	38	45	12	30
8M, z=026 / 020	26	20	6F	ST	64.84	28	38	48	12	35
8M, z=028 / 020	28	20	6F	ST	70.08	28	38	50	15	35
8M, z=030 / 020	30	20	6F	ST	75.13	28	38	55	15	35
8M, z=032 / 020	32	20	6F	ST	80.16	28	38	60	15	40
8M, z=034 / 020	34	20	6F	ST	85.22	28	38	70	15	45
8M, z=036 / 020	36	20	6F	ST	90.30	28	38	75	15	45
8M, z=038 / 020	38	20	6F	ST	95.39	28	38	75	15	45

8M, z=040 / 020	40	20	6F	ST	100.49	28	38	75	15	45
8M, z=044 / 020	44	20	6F	ST	110.67	28	38	75	15	45
8M, z=048 / 020	48	20	6F	ST	120.86	28	38	75	15	45
8M, z=056 / 020	56	20	6WF	ST	141.23	28	38	80	15	45
8M, z=064 / 020	64	20	6WF	ST	161.60	28	38	80	15	45
8M, z=072 / 020	72	20	6WF	ST	181.97	28	38	80	15	45
8M, z=080 / 020	80	20	6W	GG	202.35	28	38	90	15	50
8M, z=090 / 020	90	20	6A	GG	227.81	28	38	90	15	50
8M, z=112 / 020	112	20	6A	GG	283.83	28	38	90	18	50
8M, z=144 / 020	144	20	6A	GG	365.32	28	38	90	20	50
8M, z=168 / 020	168	20	6A	GG	426.44	28	38	100	20	55
8M, z=192 / 020	192	20	6A	GG	487.55	28	38	100	20	55

Profil: 8M Korak: 8 mm Širina kaiša: 30 mm	Broj zuba Z	Širina kaiša (mm)	Tip	Mate-rijal	D <sub>e</sub> (mm)	F (mm)	L (mm)	D <sub>m</sub> (mm)	d (mm)	d <sub>max</sub> (mm)
--	----------------	----------------------	-----	------------	------------------------	-----------	-----------	------------------------	-----------	--------------------------

8M, z=022 / 030	22	30	6F	ST	54.65	38	48	43	12	30
8M, z=024 / 030	24	30	6F	ST	59.75	38	48	45	12	30
8M, z=026 / 030	26	30	6F	ST	64.84	38	48	48	12	35
8M, z=028 / 030	28	30	6F	ST	70.08	38	48	50	15	35
8M, z=030 / 030	30	30	6F	ST	75.13	38	48	55	15	35
8M, z=032 / 030	32	30	6F	ST	80.16	38	48	60	15	40
8M, z=034 / 030	34	30	6F	ST	85.22	38	48	70	15	45
8M, z=036 / 030	36	30	6F	ST	90.30	38	48	75	15	45
8M, z=038 / 030	38	30	6F	ST	95.39	38	48	75	15	45
8M, z=040 / 030	40	30	6F	ST	100.49	38	48	75	15	45
8M, z=044 / 030	44	30	6F	ST	110.67	38	48	75	15	45
8M, z=048 / 030	48	30	6F	ST	120.86	38	48	75	15	45
8M, z=056 / 030	56	30	6WF	ST	141.23	38	48	90	15	50
8M, z=064 / 030	64	30	6WF	ST	161.60	38	48	90	15	50
8M, z=072 / 030	72	30	6WF	ST	181.97	38	48	95	15	50
8M, z=080 / 030	80	30	6W	GG	202.35	38	48	100	15	55
8M, z=090 / 030	90	30	6A	GG	227.81	38	48	100	15	55
8M, z=112 / 030	112	30	6A	GG	283.83	38	48	100	18	55
8M, z=144 / 030	144	30	6A	GG	365.32	38	48	100	20	55
8M, z=168 / 030	168	30	6A	GG	426.44	38	48	100	20	55
8M, z=192 / 030	192	30	6A	GG	487.55	38	48	100	20	55

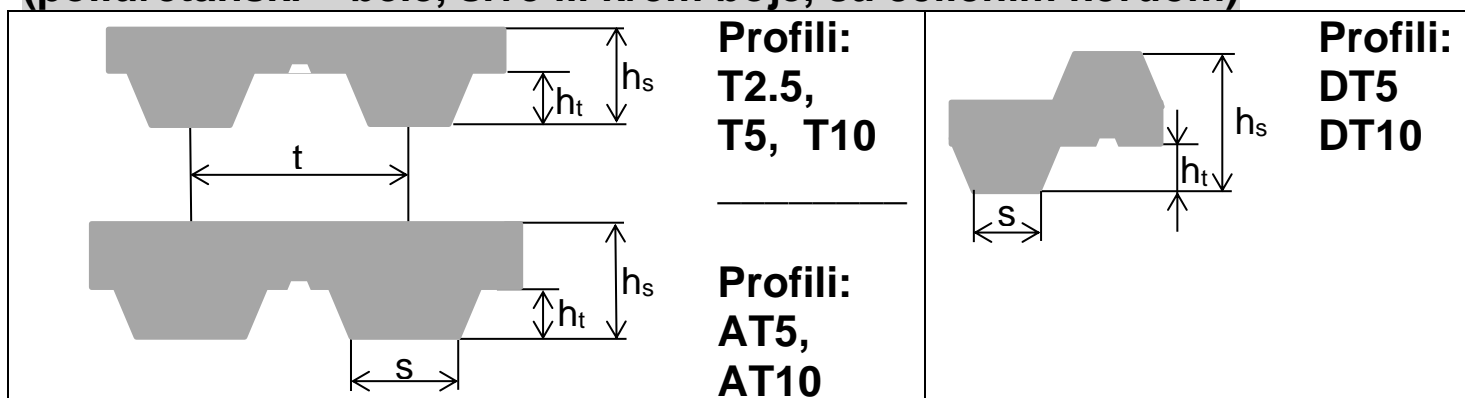
Profil: 8M Korak: 8 mm Širina kaiša: 50 mm	Broj zuba Z	Širina kaiša (mm)	Tip	Mate-rijal	D <sub>e</sub> (mm)	F (mm)	L (mm)	D <sub>m</sub> (mm)	d (mm)	d <sub>max</sub> (mm)
--	----------------	----------------------	-----	------------	------------------------	-----------	-----------	------------------------	-----------	--------------------------

8M, z=022 / 050	22	50	6F	ST	54.65	60	70	43	12	30
8M, z=024 / 050	24	50	6F	ST	59.75	60	70	45	12	30
8M, z=026 / 050	26	50	6F	ST	64.84	60	70	48	15	35
8M, z=028 / 050	28	50	6F	ST	70.08	60	70	50	15	35
8M, z=030 / 050	30	50	6F	ST	75.13	60	70	55	15	35
8M, z=032 / 050	32	50	6F	ST	80.16	60	70	60	15	40
8M, z=034 / 050	34	50	6F	ST	85.22	60	70	70	15	45
8M, z=036 / 050	36	50	6F	ST	90.30	60	70	75	15	45
8M, z=038 / 050	38	50	6F	ST	95.39	60	70	75	15	45
8M, z=040 / 050	40	50	6F	ST	100.49	60	70	75	18	45
8M, z=044 / 050	44	50	6F	ST	110.67	60	70	75	18	45
8M, z=048 / 050	48	50	6F	ST	120.86	60	70	75	18	45
8M, z=056 / 050	56	50	10WF	ST	141.23	60	60	80	18	50
8M, z=064 / 050	64	50	10WF	ST	161.60	60	60	80	18	55
8M, z=072 / 050	72	50	10WF	ST	181.97	60	60	80	18	55
8M, z=080 / 050	80	50	10A	GG	202.35	60	60	110	18	60
8M, z=090 / 050	90	50	10A	GG	227.81	60	60	110	18	60

8M, z=112 / 050	112	50	10A	GG	283.83	60	60	110	18	60
8M, z=144 / 050	144	50	10A	GG	365.32	60	60	110	20	60
8M, z=168 / 050	168	50	10A	GG	426.44	60	60	120	20	65
8M, z=192 / 050	192	50	10A	GG	487.55	60	60	130	20	70
<b>Profil: 8M</b> <b>Korak: 8 mm</b> <b>Širina kaiša: 85 mm</b>	<b>Broj zuba Z</b>	<b>Širina kaiša (mm)</b>	<b>Tip</b>	<b>Mate-rijal</b>	<b>D<sub>e</sub> (mm)</b>	<b>F (mm)</b>	<b>L (mm)</b>	<b>D<sub>m</sub> (mm)</b>	<b>d (mm)</b>	<b>d<sub>max</sub> (mm)</b>
8M, z=022 / 085	22	85	6F	ST	54.65	95	105	43	12	30
8M, z=024 / 085	24	85	6F	ST	59.75	95	105	45	12	30
8M, z=026 / 085	26	85	6F	ST	64.84	95	105	50	15	35
8M, z=028 / 085	28	85	6F	ST	70.08	95	105	50	15	35
8M, z=030 / 085	30	85	6F	ST	75.13	95	105	55	15	35
8M, z=032 / 085	32	85	6F	ST	80.16	95	105	60	15	40
8M, z=034 / 085	34	85	6F	ST	85.22	95	105	70	15	45
8M, z=036 / 085	36	85	6F	ST	90.30	95	105	70	15	45
8M, z=038 / 085	38	85	6F	ST	95.39	95	105	75	15	45
8M, z=040 / 085	40	85	6F	ST	100.49	95	105	75	18	45
8M, z=044 / 085	44	85	6F	ST	110.67	95	105	75	18	45
8M, z=048 / 085	48	85	6F	ST	120.86	95	105	80	18	45
8M, z=056 / 085	56	85	6F	ST	141.23	95	105	80	18	50
8M, z=064 / 085	64	85	10WF	ST	161.60	95	95	100	20	55
8M, z=072 / 085	72	85	10WF	ST	181.97	95	95	110	20	60
8M, z=080 / 085	80	85	10A	GG	202.35	95	95	110	20	60
8M, z=090 / 085	90	85	10A	GG	227.81	95	95	110	20	60
8M, z=112 / 085	112	85	10A	GG	283.83	95	95	110	24	60
8M, z=144 / 085	144	85	10A	GG	365.32	95	95	120	24	65
8M, z=168 / 085	168	85	10A	GG	426.44	95	95	120	24	65
8M, z=192 / 085	192	85	10A	GG	487.55	95	95	130	24	70
<b>Profil: 14M</b> <b>Korak: 14 mm</b> <b>Širina kaiša: 40 mm</b>	<b>Broj zuba Z</b>	<b>Širina kaiša (mm)</b>	<b>Tip</b>	<b>Mate-rijal</b>	<b>D<sub>e</sub> (mm)</b>	<b>F (mm)</b>	<b>L (mm)</b>	<b>D<sub>m</sub> (mm)</b>	<b>d (mm)</b>	<b>d<sub>max</sub> (mm)</b>
14M, z=028 / 040	28	40	6F	ST	122.12	54	69	100	24	60
14M, z=029 / 040	29	40	6F	ST	126.57	54	69	100	24	60
14M, z=030 / 040	30	40	6F	ST	130.99	54	69	100	24	60
14M, z=032 / 040	32	40	6F	ST	139.88	54	69	100	24	70
14M, z=034 / 040	34	40	6F	ST	148.79	54	69	100	24	70
14M, z=036 / 040	36	40	6F	ST	157.68	54	69	100	24	70
14M, z=038 / 040	38	40	6F	ST	166.60	54	69	120	24	70
14M, z=040 / 040	40	40	6F	ST	175.49	54	69	120	24	70
14M, z=044 / 040	44	40	6F	ST	193.28	54	69	120	24	70
14M, z=048 / 040	48	40	6WF	GG	211.11	54	69	135	24	70
14M, z=056 / 040	56	40	6WF	GG	246.76	54	69	135	28	70
14M, z=064 / 040	64	40	6WF	GG	282.41	54	69	135	28	70
14M, z=072 / 040	72	40	6A	GG	318.06	54	69	135	28	70
14M, z=080 / 040	80	40	6A	GG	353.71	54	69	135	28	70
14M, z=090 / 040	90	40	6A	GG	398.28	54	69	135	28	70
<b>Profil: 14M</b> <b>Korak: 14 mm</b> <b>Širina kaiša: 55 mm</b>	<b>Broj zuba Z</b>	<b>Širina kaiša (mm)</b>	<b>Tip</b>	<b>Mate-rijal</b>	<b>D<sub>e</sub> (mm)</b>	<b>F (mm)</b>	<b>L (mm)</b>	<b>D<sub>m</sub> (mm)</b>	<b>d (mm)</b>	<b>d<sub>max</sub> (mm)</b>
14M, z=028 / 055	28	55	6F	ST	122.12	70	85	100	24	60
14M, z=029 / 055	29	55	6F	ST	126.57	70	85	100	24	60
14M, z=030 / 055	30	55	6F	ST	130.99	70	85	100	24	60
14M, z=032 / 055	32	55	6F	ST	139.88	70	85	100	24	70
14M, z=034 / 055	34	55	6F	ST	148.79	70	85	100	24	70
14M, z=036 / 055	36	55	6F	ST	157.68	70	85	100	24	70
14M, z=038 / 055	38	55	6F	ST	166.60	70	85	120	24	70

14M, z=040 / 055	40	55	6F	ST	175.49	70	85	120	24	70
14M, z=044 / 055	44	55	6F	ST	193.28	70	85	120	24	70
14M, z=048 / 055	48	55	10WF	GG	211.11	70	70	135	24	70
14M, z=056 / 055	56	55	10WF	GG	246.76	70	70	135	28	70
14M, z=064 / 055	64	55	10WF	GG	282.41	70	70	135	28	70
14M, z=072 / 055	72	55	10A	GG	318.06	70	70	135	28	70
14M, z=080 / 055	80	55	10A	GG	353.71	70	70	135	28	70
14M, z=090 / 055	90	55	10A	GG	398.28	70	70	135	28	70
<b>Profil: 14M</b>	<b>Broj zuba</b>	<b>Širina kaiša</b>	<b>Tip</b>	<b>Mate-rijal</b>	<b>D<sub>e</sub></b>	<b>F</b>	<b>L</b>	<b>D<sub>m</sub></b>	<b>d</b>	<b>d<sub>max</sub></b>
<b>Korak: 14 mm</b>	<b>Z</b>	<b>(mm)</b>			<b>(mm)</b>	<b>(mm)</b>	<b>(mm)</b>	<b>(mm)</b>	<b>(mm)</b>	<b>(mm)</b>
<b>Širina kaiša: 85 mm</b>										
14M, z=028 / 085	28	85	6F	ST	122.12	102	117	100	24	60
14M, z=029 / 085	29	85	6F	ST	126.57	102	117	100	24	60
14M, z=030 / 085	30	85	6F	ST	130.99	102	117	100	24	60
14M, z=032 / 085	32	85	6F	ST	139.88	102	117	100	24	60
14M, z=034 / 085	34	85	6F	ST	148.79	102	117	100	24	70
14M, z=036 / 085	36	85	6F	ST	157.68	102	117	100	32	70
14M, z=038 / 085	38	85	6F	ST	166.60	102	117	120	32	70
14M, z=040 / 085	40	85	6F	ST	175.49	102	117	135	32	70
14M, z=044 / 085	44	85	6F	ST	193.28	102	117	135	32	70
14M, z=048 / 085	48	85	6F	ST	211.11	102	117	150	32	80
14M, z=056 / 085	56	85	10WF	GG	246.76	102	102	150	32	80
14M, z=064 / 085	64	85	10WF	GG	282.41	102	102	150	32	80
14M, z=072 / 085	72	85	10A	GG	318.06	102	102	150	32	80
14M, z=080 / 085	80	85	10A	GG	353.71	102	102	150	32	80
14M, z=090 / 085	90	85	10A	GG	398.28	102	102	150	32	80
<b>Profil: 14M</b>	<b>Broj zuba</b>	<b>Širina kaiša</b>	<b>Tip</b>	<b>Mate-rijal</b>	<b>D<sub>e</sub></b>	<b>F</b>	<b>L</b>	<b>D<sub>m</sub></b>	<b>d</b>	<b>d<sub>max</sub></b>
<b>Korak: 14 mm</b>	<b>Z</b>	<b>(mm)</b>			<b>(mm)</b>	<b>(mm)</b>	<b>(mm)</b>	<b>(mm)</b>	<b>(mm)</b>	<b>(mm)</b>
<b>Širina kaiša: 115 mm</b>										
14M, z=028 / 115	28	115	6F	ST	122.12	133	148	100	32	60
14M, z=029 / 115	29	115	6F	ST	126.57	133	148	100	32	60
14M, z=030 / 115	30	115	6F	ST	130.99	133	148	100	32	60
14M, z=032 / 115	32	115	6F	ST	139.88	133	148	100	32	60
14M, z=034 / 115	34	115	6F	ST	148.79	133	148	100	32	70
14M, z=036 / 115	36	115	6F	ST	157.68	133	148	120	32	70
14M, z=038 / 115	38	115	6F	ST	166.60	133	148	120	32	70
14M, z=040 / 115	40	115	6F	ST	175.49	133	148	135	32	70
14M, z=044 / 115	44	115	6F	ST	193.28	133	148	140	32	80
14M, z=048 / 115	48	115	6F	ST	211.11	133	148	150	32	80
14M, z=056 / 115	56	115	6F	ST	246.76	133	148	150	32	80
14M, z=064 / 115	64	115	10WF	GG	282.41	133	133	150	32	80
14M, z=072 / 115	72	115	10A	GG	318.06	133	133	150	32	80
14M, z=080 / 115	80	115	10A	GG	353.71	133	133	150	32	80
14M, z=090 / 115	90	115	10A	GG	398.28	133	133	150	32	80

## Zupčaste remenice za zupčaste kaiševe sa metričkim korakom (poliuretanski – bele, sive ili krem boje, sa čeličnim kordom)



Profil →	T2.5	T5	T10	AT5	AT10	DT5	DT10
t (mm)	2.50	5.00	10.00	5.00	10.00	5.00	10.00
h <sub>s</sub> (mm)	1.30	2.20	4.50	2.70	5.00	3.31	6.84
h <sub>t</sub> (mm)	0.70	1.20	2.50	1.20	2.50	1.20	2.50
s (mm)	1.00	1.80	3.50	2.50	5.00	1.80	3.50

### PRIMER OZNAČAVANJA:

Zupčasta remenica T2.5, z=012 / 016 (kaiš 6) (ili po OPTIBELT sistemu označavanja 16 T2.5/12-2) (zupč.remenica profila T2.5, sa brojem zuba 12, za kaiš širine 6 mm, ukupne širine remenice 16 mm)

Profil: T2.5 Korak: 2.5 mm Širina kaiša: 6 mm	Broj zuba Z	Širina kaiša (mm)	Tip	Mate-rijal	D <sub>e</sub> (mm)	F (mm)	L (mm)	D <sub>m</sub> (mm)	d (mm)	d <sub>max</sub> (mm)
T2.5, z=012 / 016 (kaiš 6)	12	6	1F	AL	9.00	9	16	13	-	3
T2.5, z=014 / 016 (kaiš 6)	14	6	1F	AL	10.60	9	16	15	-	4
T2.5, z=015 / 016 (kaiš 6)	15	6	1F	AL	11.40	9	16	15	-	4
T2.5, z=016 / 016 (kaiš 6)	16	6	1F	AL	12.20	9	16	16	-	5
T2.5, z=018 / 016 (kaiš 6)	18	6	6F	AL	13.80	10	16	10	-	6
T2.5, z=019 / 016 (kaiš 6)	19	6	6F	AL	14.60	10	16	10	-	6
T2.5, z=020 / 016 (kaiš 6)	20	6	6F	AL	15.40	10	16	10	-	6
T2.5, z=022 / 016 (kaiš 6)	22	6	6F	AL	17.00	10	16	10	-	6
T2.5, z=024 / 016 (kaiš 6)	24	6	6F	AL	18.50	10	16	11	-	6
T2.5, z=025 / 016 (kaiš 6)	25	6	6F	AL	19.35	10	16	12	-	8
T2.5, z=026 / 016 (kaiš 6)	26	6	6F	AL	20.15	10	16	13	-	8
T2.5, z=028 / 016 (kaiš 6)	28	6	6F	AL	21.75	10	16	14	-	8
T2.5, z=030 / 016 (kaiš 6)	30	6	6F	AL	23.35	10	16	14	-	10
T2.5, z=032 / 016 (kaiš 6)	32	6	6F	AL	24.95	10	16	16	-	10
T2.5, z=036 / 016 (kaiš 6)	36	6	6F	AL	28.10	10	16	16	-	12
T2.5, z=040 / 016 (kaiš 6)	40	6	6F	AL	31.30	10	16	20	-	12
T2.5, z=044 / 016 (kaiš 6)	44	6	6F	AL	34.50	10	16	24	-	14
T2.5, z=048 / 016 (kaiš 6)	48	6	6	AL	37.70	10	16	26	-	15
T2.5, z=060 / 016 (kaiš 6)	60	6	6	AL	47.25	10	16	34	8	18
Profil: T5 Korak: 5 mm Širina kaiša: 10 mm	Broj zuba Z	Širina kaiša (mm)	Tip	Mate-rijal	D <sub>e</sub> (mm)	F (mm)	L (mm)	D <sub>m</sub> (mm)	d (mm)	d <sub>max</sub> (mm)
T5, z=010 / 021 (kaiš 10)	10	10	6F	AL	15.05	15	21	8	-	5
T5, z=012 / 021 (kaiš 10)	12	10	6F	AL	18.25	15	21	11	-	6
T5, z=014 / 021 (kaiš 10)	14	10	6F	AL	21.45	15	21	13	-	8
T5, z=015 / 021 (kaiš 10)	15	10	6F	AL	23.05	15	21	16	-	10
T5, z=016 / 021 (kaiš 10)	16	10	6F	AL	24.60	15	21	18	-	11
T5, z=018 / 021 (kaiš 10)	18	10	6F	AL	27.80	15	21	20	-	12
T5, z=019 / 021 (kaiš 10)	19	10	6F	AL	29.40	15	21	20	-	12



T5, z=020 / 021 (kaiš 10)	20	10	6F	AL	31.00	15	21	22	-	14
T5, z=022 / 021 (kaiš 10)	22	10	6F	AL	34.25	15	21	23	-	15
T5, z=024 / 021 (kaiš 10)	24	10	6F	AL	37.40	15	21	24	-	15
T5, z=025 / 021 (kaiš 10)	25	10	6F	AL	39.00	15	21	26	-	15
T5, z=026 / 021 (kaiš 10)	26	10	6F	AL	40.60	15	21	26	-	16
T5, z=027 / 021 (kaiš 10)	27	10	6F	AL	42.20	15	21	30	8	18
T5, z=028 / 021 (kaiš 10)	28	10	6F	AL	43.75	15	21	32	8	18
T5, z=030 / 021 (kaiš 10)	30	10	6F	AL	46.95	15	21	34	8	18
T5, z=032 / 021 (kaiš 10)	32	10	6F	AL	50.10	15	21	38	8	22
T5, z=036 / 021 (kaiš 10)	36	10	6F	AL	56.45	15	21	38	8	22
T5, z=040 / 021 (kaiš 10)	40	10	6F	AL	62.85	15	21	40	8	23
T5, z=042 / 021 (kaiš 10)	42	10	6F	AL	66.00	15	21	40	8	24
T5, z=044 / 021 (kaiš 10)	44	10	6	AL	69.20	15	21	45	8	26
T5, z=048 / 021 (kaiš 10)	48	10	6	AL	75.55	15	21	50	8	28
T5, z=060 / 021 (kaiš 10)	60	10	6	AL	94.65	15	21	65	8	35

Profil: T5 Korak: 5 mm Širina kaiša: 16 mm	Broj zuba Z	Širina kaiša (mm)	Tip	Mate-rijal	D <sub>e</sub> (mm)	F (mm)	L (mm)	D <sub>m</sub> (mm)	d (mm)	d <sub>max</sub> (mm)
T5, z=010 / 027 (kaiš 16)	10	16	6F	AL	15.05	21	27	8	-	5
T5, z=012 / 027 (kaiš 16)	12	16	6F	AL	18.25	21	27	11	-	6
T5, z=014 / 027 (kaiš 16)	14	16	6F	AL	21.45	21	27	13	-	8
T5, z=015 / 027 (kaiš 16)	15	16	6F	AL	23.05	21	27	16	-	10
T5, z=016 / 027 (kaiš 16)	16	16	6F	AL	24.60	21	27	18	-	11
T5, z=018 / 027 (kaiš 16)	18	16	6F	AL	27.80	21	27	20	-	12
T5, z=019 / 027 (kaiš 16)	19	16	6F	AL	29.40	21	27	20	-	12
T5, z=020 / 027 (kaiš 16)	20	16	6F	AL	31.00	21	27	22	-	14
T5, z=022 / 027 (kaiš 16)	22	16	6F	AL	34.25	21	27	23	-	15
T5, z=024 / 027 (kaiš 16)	24	16	6F	AL	37.40	21	27	24	-	15
T5, z=025 / 027 (kaiš 16)	25	16	6F	AL	39.00	21	27	26	-	15
T5, z=026 / 027 (kaiš 16)	26	16	6F	AL	40.60	21	27	26	-	16
T5, z=027 / 027 (kaiš 16)	27	16	6F	AL	42.20	21	27	30	8	18
T5, z=028 / 027 (kaiš 16)	28	16	6F	AL	43.75	21	27	32	8	18
T5, z=030 / 027 (kaiš 16)	30	16	6F	AL	46.95	21	27	34	8	18
T5, z=032 / 027 (kaiš 16)	32	16	6F	AL	50.10	21	27	38	8	22
T5, z=036 / 027 (kaiš 16)	36	16	6F	AL	56.45	21	27	38	8	22
T5, z=040 / 027 (kaiš 16)	40	16	6F	AL	62.85	21	27	40	8	23
T5, z=042 / 027 (kaiš 16)	42	16	6F	AL	66.00	21	27	40	8	24
T5, z=044 / 027 (kaiš 16)	44	16	6	AL	69.20	21	27	45	8	26
T5, z=048 / 027 (kaiš 16)	48	16	6	AL	75.55	21	27	50	8	28
T5, z=060 / 027 (kaiš 16)	60	16	6	AL	94.65	21	27	65	8	35

Profil: T5 Korak: 5 mm Širina kaiša: 25 mm	Broj zuba Z	Širina kaiša (mm)	Tip	Mate-rijal	D <sub>e</sub> (mm)	F (mm)	L (mm)	D <sub>m</sub> (mm)	d (mm)	d <sub>max</sub> (mm)
T5, z=010 / 036 (kaiš 25)	10	25	6F	AL	15.05	30	36	8	-	5
T5, z=012 / 036 (kaiš 25)	12	25	6F	AL	18.25	30	36	11	-	6
T5, z=014 / 036 (kaiš 25)	14	25	6F	AL	21.45	30	36	13	-	8
T5, z=015 / 036 (kaiš 25)	15	25	6F	AL	23.05	30	36	16	-	10
T5, z=016 / 036 (kaiš 25)	16	25	6F	AL	24.60	30	36	18	-	11
T5, z=018 / 036 (kaiš 25)	18	25	6F	AL	27.80	30	36	20	-	12
T5, z=019 / 036 (kaiš 25)	19	25	6F	AL	29.40	30	36	20	-	12
T5, z=020 / 036 (kaiš 25)	20	25	6F	AL	31.00	30	36	22	-	14
T5, z=022 / 036 (kaiš 25)	22	25	6F	AL	34.25	30	36	23	-	15
T5, z=024 / 036 (kaiš 25)	24	25	6F	AL	37.40	30	36	24	8	15
T5, z=025 / 036 (kaiš 25)	25	25	6F	AL	39.00	30	36	26	8	15
T5, z=026 / 036 (kaiš 25)	26	25	6F	AL	40.60	30	36	26	8	16
T5, z=027 / 036 (kaiš 25)	27	25	6F	AL	42.20	30	36	30	8	18

T5, z=028 / 036 (kaiš 25)	28	25	6F	AL	43.75	30	36	32	8	18
T5, z=030 / 036 (kaiš 25)	30	25	6F	AL	46.95	30	36	34	8	18
T5, z=032 / 036 (kaiš 25)	32	25	6F	AL	50.10	30	36	38	8	22
T5, z=036 / 036 (kaiš 25)	36	25	6F	AL	56.45	30	36	38	8	22
T5, z=040 / 036 (kaiš 25)	40	25	6F	AL	62.85	30	36	40	8	23
T5, z=042 / 036 (kaiš 25)	42	25	6F	AL	66.00	30	36	40	8	24
T5, z=044 / 036 (kaiš 25)	44	25	6	AL	69.20	30	36	45	8	26
T5, z=048 / 036 (kaiš 25)	48	25	6	AL	75.55	30	36	50	8	28
T5, z=060 / 036 (kaiš 25)	60	25	6	AL	94.65	30	36	65	8	35
<b>Profil: T10</b>	<b>Broj zuba</b>	<b>Širina kaiša (mm)</b>	<b>Tip</b>	<b>Mate-rijal</b>	<b>D<sub>e</sub> (mm)</b>	<b>F (mm)</b>	<b>L (mm)</b>	<b>D<sub>m</sub> (mm)</b>	<b>d (mm)</b>	<b>d<sub>max</sub> (mm)</b>
<b>Korak: 10 mm</b>	<b>Z</b>									
<b>Širina kaiša: 16 mm</b>										
T10, z=012 / 031 (kaiš 16)	12	16	6F	AL	36.35	21	31	28	6	16
T10, z=014 / 031 (kaiš 16)	14	16	6F	AL	42.70	21	31	32	8	18
T10, z=015 / 031 (kaiš 16)	15	16	6F	AL	45.90	21	31	32	8	18
T10, z=016 / 031 (kaiš 16)	16	16	6F	AL	49.10	21	31	35	8	20
T10, z=018 / 031 (kaiš 16)	18	16	6F	AL	55.45	21	31	40	8	22
T10, z=019 / 031 (kaiš 16)	19	16	6F	AL	58.60	21	31	44	8	22
T10, z=020 / 031 (kaiš 16)	20	16	6F	AL	61.80	21	31	46	8	24
T10, z=022 / 031 (kaiš 16)	22	16	6F	AL	68.20	21	31	52	8	28
T10, z=024 / 031 (kaiš 16)	24	16	6F	AL	74.55	21	31	58	8	30
T10, z=025 / 031 (kaiš 16)	25	16	6F	AL	77.70	21	31	60	8	30
T10, z=026 / 031 (kaiš 16)	26	16	6F	AL	80.90	21	31	60	8	30
T10, z=027 / 031 (kaiš 16)	27	16	6F	AL	84.10	21	31	60	8	30
T10, z=028 / 031 (kaiš 16)	28	16	6F	AL	87.25	21	31	60	8	30
T10, z=030 / 031 (kaiš 16)	30	16	6F	AL	93.65	21	31	60	8	30
T10, z=032 / 031 (kaiš 16)	32	16	6F	AL	100.00	21	31	65	10	32
T10, z=036 / 031 (kaiš 16)	36	16	6F	AL	112.75	21	31	70	10	35
T10, z=040 / 031 (kaiš 16)	40	16	6F	AL	125.45	21	31	80	10	40
T10, z=044 / 031 (kaiš 16)	44	16	6	AL	138.20	21	31	88	10	46
T10, z=048 / 031 (kaiš 16)	48	16	6	AL	150.95	21	31	95	16	48
T10, z=060 / 031 (kaiš 16)	60	16	6	AL	189.10	21	31	110	16	60
<b>Profil: T10</b>	<b>Broj zuba</b>	<b>Širina kaiša (mm)</b>	<b>Tip</b>	<b>Mate-rijal</b>	<b>D<sub>e</sub> (mm)</b>	<b>F (mm)</b>	<b>L (mm)</b>	<b>D<sub>m</sub> (mm)</b>	<b>d (mm)</b>	<b>d<sub>max</sub> (mm)</b>
<b>Korak: 10 mm</b>	<b>Z</b>									
<b>Širina kaiša: 25 mm</b>										
T10, z=012 / 040 (kaiš 25)	12	25	6F	AL	36.35	30	40	28	6	16
T10, z=014 / 040 (kaiš 25)	14	25	6F	AL	42.70	30	40	32	8	18
T10, z=015 / 040 (kaiš 25)	15	25	6F	AL	45.90	30	40	32	8	18
T10, z=016 / 040 (kaiš 25)	16	25	6F	AL	49.10	30	40	35	8	20
T10, z=018 / 040 (kaiš 25)	18	25	6F	AL	55.45	30	40	40	8	22
T10, z=019 / 040 (kaiš 25)	19	25	6F	AL	58.60	30	40	44	8	22
T10, z=020 / 040 (kaiš 25)	20	25	6F	AL	61.80	30	40	46	8	24
T10, z=022 / 040 (kaiš 25)	22	25	6F	AL	68.20	30	40	52	8	28
T10, z=024 / 040 (kaiš 25)	24	25	6F	AL	74.55	30	40	58	8	30
T10, z=025 / 040 (kaiš 25)	25	25	6F	AL	77.70	30	40	60	8	30
T10, z=026 / 040 (kaiš 25)	26	25	6F	AL	80.90	30	40	60	8	30
T10, z=027 / 040 (kaiš 25)	27	25	6F	AL	84.10	30	40	60	8	30
T10, z=028 / 040 (kaiš 25)	28	25	6F	AL	87.25	30	40	60	8	30
T10, z=030 / 040 (kaiš 25)	30	25	6F	AL	93.65	30	40	60	8	30
T10, z=032 / 040 (kaiš 25)	32	25	6F	AL	100.00	30	40	65	10	32
T10, z=036 / 040 (kaiš 25)	36	25	6F	AL	112.75	30	40	70	10	35
T10, z=040 / 040 (kaiš 25)	40	25	6F	AL	125.45	30	40	80	10	40
T10, z=044 / 040 (kaiš 25)	44	25	6	AL	138.20	30	40	88	10	46
T10, z=048 / 040 (kaiš 25)	48	25	6	AL	150.95	30	40	95	16	48
T10, z=060 / 040 (kaiš 25)	60	25	6	AL	189.10	30	40	110	16	60

Profil: T10 Korak: 10 mm Širina kaiša: 32 mm	Broj zuba Z	Širina kaiša (mm)	Tip	Mate-rijal	D <sub>e</sub> (mm)	F (mm)	L (mm)	D <sub>m</sub> (mm)	d (mm)	d <sub>max</sub> (mm)
T10, z=018 / 047 (kaiš 32)	18	32	6F	AL	55.45	37	47	40	10	22
T10, z=019 / 047 (kaiš 32)	19	32	6F	AL	58.60	37	47	44	10	22
T10, z=020 / 047 (kaiš 32)	20	32	6F	AL	61.80	37	47	46	12	24
T10, z=022 / 047 (kaiš 32)	22	32	6F	AL	68.20	37	47	52	12	28
T10, z=024 / 047 (kaiš 32)	24	32	6F	AL	74.55	37	47	58	12	30
T10, z=025 / 047 (kaiš 32)	25	32	6F	AL	77.70	37	47	60	12	30
T10, z=026 / 047 (kaiš 32)	26	32	6F	AL	80.90	37	47	60	12	30
T10, z=027 / 047 (kaiš 32)	27	32	6F	AL	84.10	37	47	60	12	30
T10, z=028 / 047 (kaiš 32)	28	32	6F	AL	87.25	37	47	60	12	30
T10, z=030 / 047 (kaiš 32)	30	32	6F	AL	93.65	37	47	60	12	30
T10, z=032 / 047 (kaiš 32)	32	32	6F	AL	100.00	37	47	65	12	32
T10, z=036 / 047 (kaiš 32)	36	32	6F	AL	112.75	37	47	70	16	35
T10, z=040 / 047 (kaiš 32)	40	32	6F	AL	125.45	37	47	80	16	40
T10, z=044 / 047 (kaiš 32)	44	32	6	AL	138.20	37	47	88	16	46
T10, z=048 / 047 (kaiš 32)	48	32	6	AL	150.95	37	47	95	16	48
T10, z=060 / 047 (kaiš 32)	60	32	6	AL	189.10	37	47	110	16	60
Profil: T10 Korak: 10 mm Širina kaiša: 50 mm	Broj zuba Z	Širina kaiša (mm)	Tip	Mate-rijal	D <sub>e</sub> (mm)	F (mm)	L (mm)	D <sub>m</sub> (mm)	d (mm)	d <sub>max</sub> (mm)
T10, z=018 / 066 (kaiš 50)	18	50	6F	AL	55.45	56	66	40	10	22
T10, z=019 / 066 (kaiš 50)	19	50	6F	AL	58.60	56	66	44	10	22
T10, z=020 / 066 (kaiš 50)	20	50	6F	AL	61.80	56	66	46	12	24
T10, z=022 / 066 (kaiš 50)	22	50	6F	AL	68.20	56	66	52	12	28
T10, z=024 / 066 (kaiš 50)	24	50	6F	AL	74.55	56	66	58	12	30
T10, z=025 / 066 (kaiš 50)	25	50	6F	AL	77.70	56	66	60	12	30
T10, z=026 / 066 (kaiš 50)	26	50	6F	AL	80.90	56	66	60	12	30
T10, z=027 / 066 (kaiš 50)	27	50	6F	AL	84.10	56	66	60	12	30
T10, z=028 / 066 (kaiš 50)	28	50	6F	AL	87.25	56	66	60	12	30
T10, z=030 / 066 (kaiš 50)	30	50	6F	AL	93.65	56	66	60	12	30
T10, z=032 / 066 (kaiš 50)	32	50	6F	AL	100.00	56	66	65	12	32
T10, z=036 / 066 (kaiš 50)	36	50	6F	AL	112.75	56	66	70	16	35
T10, z=040 / 066 (kaiš 50)	40	50	6F	AL	125.45	56	66	80	16	40
T10, z=044 / 066 (kaiš 50)	44	50	6	AL	138.20	56	66	88	16	46
T10, z=048 / 066 (kaiš 50)	48	50	6	AL	150.95	56	66	95	16	48
T10, z=060 / 066 (kaiš 50)	60	50	6	AL	189.10	56	66	110	16	60
Profil: AT5 Korak: 5 mm Širina kaiša: 10 mm	Broj zuba Z	Širina kaiša (mm)	Tip	Mate-rijal	D <sub>e</sub> (mm)	F (mm)	L (mm)	D <sub>m</sub> (mm)	d (mm)	d <sub>max</sub> (mm)
AT5, z=012 / 021 (kaiš 10)	12	10	6F	AL	17.85	15	21	11	-	6
AT5, z=014 / 021 (kaiš 10)	14	10	6F	AL	21.05	15	21	13	-	8
AT5, z=015 / 021 (kaiš 10)	15	10	6F	AL	22.65	15	21	16	-	10
AT5, z=016 / 021 (kaiš 10)	16	10	6F	AL	24.20	15	21	18	-	11
AT5, z=018 / 021 (kaiš 10)	18	10	6F	AL	27.40	15	21	20	-	12
AT5, z=019 / 021 (kaiš 10)	19	10	6F	AL	29.00	15	21	22	-	12
AT5, z=020 / 021 (kaiš 10)	20	10	6F	AL	30.60	15	21	23	-	14
AT5, z=022 / 021 (kaiš 10)	22	10	6F	AL	33.85	15	21	24	-	15
AT5, z=024 / 021 (kaiš 10)	24	10	6F	AL	37.00	15	21	26	-	15
AT5, z=025 / 021 (kaiš 10)	25	10	6F	AL	38.60	15	21	26	-	15
AT5, z=026 / 021 (kaiš 10)	26	10	6F	AL	40.20	15	21	26	-	16
AT5, z=027 / 021 (kaiš 10)	27	10	6F	AL	41.80	15	21	30	8	18
AT5, z=028 / 021 (kaiš 10)	28	10	6F	AL	43.35	15	21	32	8	18
AT5, z=030 / 021 (kaiš 10)	30	10	6F	AL	46.55	15	21	34	8	18
AT5, z=032 / 021 (kaiš 10)	32	10	6F	AL	49.70	15	21	36	8	22

AT5, z=036 / 021 (kaiš 10)	36	10	6F	AL	56.05	15	21	38	8	22
AT5, z=040 / 021 (kaiš 10)	40	10	6F	AL	62.45	15	21	40	8	23
AT5, z=042 / 021 (kaiš 10)	42	10	6F	AL	65.60	15	21	40	8	24
AT5, z=044 / 021 (kaiš 10)	44	10	6	AL	68.80	15	21	45	8	26
AT5, z=048 / 021 (kaiš 10)	48	10	6	AL	75.15	15	21	50	8	28
AT5, z=060 / 021 (kaiš 10)	60	10	6	AL	94.25	15	21	65	8	35

Profil: AT5 Korak: 5 mm Širina kaiša: 16 mm	Broj zuba Z	Širina kaiša (mm)	Tip	Mate-rijal	D <sub>e</sub> (mm)	F (mm)	L (mm)	D <sub>m</sub> (mm)	d (mm)	d <sub>max</sub> (mm)
---	----------------	----------------------	-----	------------	------------------------	-----------	-----------	------------------------	-----------	--------------------------

AT5, z=012 / 027 (kaiš 16)	12	16	6F	AL	17.85	21	27	11	-	6
AT5, z=014 / 027 (kaiš 16)	14	16	6F	AL	21.05	21	27	13	-	8
AT5, z=015 / 027 (kaiš 16)	15	16	6F	AL	22.65	21	27	16	-	10
AT5, z=016 / 027 (kaiš 16)	16	16	6F	AL	24.20	21	27	18	-	11
AT5, z=018 / 027 (kaiš 16)	18	16	6F	AL	27.40	21	27	20	-	12
AT5, z=019 / 027 (kaiš 16)	19	16	6F	AL	29.00	21	27	22	-	12
AT5, z=020 / 027 (kaiš 16)	20	16	6F	AL	30.60	21	27	23	-	14
AT5, z=022 / 027 (kaiš 16)	22	16	6F	AL	33.85	21	27	24	-	15
AT5, z=024 / 027 (kaiš 16)	24	16	6F	AL	37.00	21	27	26	-	15
AT5, z=025 / 027 (kaiš 16)	25	16	6F	AL	38.60	21	27	26	-	15
AT5, z=026 / 027 (kaiš 16)	26	16	6F	AL	40.20	21	27	26	-	16
AT5, z=027 / 027 (kaiš 16)	27	16	6F	AL	41.80	21	27	30	8	18
AT5, z=028 / 027 (kaiš 16)	28	16	6F	AL	43.35	21	27	32	8	18
AT5, z=030 / 027 (kaiš 16)	30	16	6F	AL	46.55	21	27	34	8	18
AT5, z=032 / 027 (kaiš 16)	32	16	6F	AL	49.70	21	27	36	8	22
AT5, z=036 / 027 (kaiš 16)	36	16	6F	AL	56.05	21	27	38	8	22
AT5, z=040 / 027 (kaiš 16)	40	16	6F	AL	62.45	21	27	40	8	23
AT5, z=042 / 027 (kaiš 16)	42	16	6F	AL	65.60	21	27	40	8	24
AT5, z=044 / 027 (kaiš 16)	44	16	6	AL	68.80	21	27	45	8	26
AT5, z=048 / 027 (kaiš 16)	48	16	6	AL	75.15	21	27	50	8	28
AT5, z=060 / 027 (kaiš 16)	60	16	6	AL	94.25	21	27	65	8	35

Profil: AT5 Korak: 5 mm Širina kaiša: 25 mm	Broj zuba Z	Širina kaiša (mm)	Tip	Mate-rijal	D <sub>e</sub> (mm)	F (mm)	L (mm)	D <sub>m</sub> (mm)	d (mm)	d <sub>max</sub> (mm)
---	----------------	----------------------	-----	------------	------------------------	-----------	-----------	------------------------	-----------	--------------------------

AT5, z=012 / 036 (kaiš 25)	12	25	6F	AL	17.85	30	36	11	-	6
AT5, z=014 / 036 (kaiš 25)	14	25	6F	AL	21.05	30	36	13	-	8
AT5, z=015 / 036 (kaiš 25)	15	25	6F	AL	22.65	30	36	16	-	10
AT5, z=016 / 036 (kaiš 25)	16	25	6F	AL	24.20	30	36	18	-	11
AT5, z=018 / 036 (kaiš 25)	18	25	6F	AL	27.40	30	36	20	-	12
AT5, z=019 / 036 (kaiš 25)	19	25	6F	AL	29.00	30	36	22	-	12
AT5, z=020 / 036 (kaiš 25)	20	25	6F	AL	30.60	30	36	23	-	14
AT5, z=022 / 036 (kaiš 25)	22	25	6F	AL	33.85	30	36	24	-	15
AT5, z=024 / 036 (kaiš 25)	24	25	6F	AL	37.00	30	36	26	-	15
AT5, z=025 / 036 (kaiš 25)	25	25	6F	AL	38.60	30	36	26	-	15
AT5, z=026 / 036 (kaiš 25)	26	25	6F	AL	40.20	30	36	26	-	16
AT5, z=027 / 036 (kaiš 25)	27	25	6F	AL	41.80	30	36	30	8	18
AT5, z=028 / 036 (kaiš 25)	28	25	6F	AL	43.35	30	36	32	8	18
AT5, z=030 / 036 (kaiš 25)	30	25	6F	AL	46.55	30	36	34	8	18
AT5, z=032 / 036 (kaiš 25)	32	25	6F	AL	49.70	30	36	36	8	22
AT5, z=036 / 036 (kaiš 25)	36	25	6F	AL	56.05	30	36	38	8	22
AT5, z=040 / 036 (kaiš 25)	40	25	6F	AL	62.45	30	36	40	8	23
AT5, z=042 / 036 (kaiš 25)	42	25	6F	AL	65.60	30	36	40	8	24
AT5, z=044 / 036 (kaiš 25)	44	25	6	AL	68.80	30	36	45	8	26
AT5, z=048 / 036 (kaiš 25)	48	25	6	AL	75.15	30	36	50	8	28
AT5, z=060 / 036 (kaiš 25)	60	25	6	AL	94.25	30	36	65	8	35

Profil: AT10 Korak: 10 mm Širina kaiša: 16 mm	Broj zuba Z	Širina kaiša (mm)	Tip	Mate-rijal	D <sub>e</sub> (mm)	F (mm)	L (mm)	D <sub>m</sub> (mm)	d (mm)	d <sub>max</sub> (mm)
AT10, z=015 / 031 (kaiš 16)	15	16	6F	AL	45.90	21	31	31	8	18
AT10, z=016 / 031 (kaiš 16)	16	16	6F	AL	49.05	21	31	35	8	20
AT10, z=018 / 031 (kaiš 16)	18	16	6F	AL	55.45	21	31	40	8	22
AT10, z=019 / 031 (kaiš 16)	19	16	6F	AL	58.60	21	31	44	8	22
AT10, z=020 / 031 (kaiš 16)	20	16	6F	AL	61.80	21	31	46	8	24
AT10, z=022 / 031 (kaiš 16)	22	16	6F	AL	68.15	21	31	52	8	28
AT10, z=024 / 031 (kaiš 16)	24	16	6F	AL	74.55	21	31	58	8	30
AT10, z=025 / 031 (kaiš 16)	25	16	6F	AL	77.70	21	31	60	8	30
AT10, z=026 / 031 (kaiš 16)	26	16	6F	AL	80.90	21	31	60	8	30
AT10, z=027 / 031 (kaiš 16)	27	16	6F	AL	84.10	21	31	60	8	30
AT10, z=028 / 031 (kaiš 16)	28	16	6F	AL	87.25	21	31	60	8	30
AT10, z=030 / 031 (kaiš 16)	30	16	6F	AL	93.65	21	31	60	8	30
AT10, z=032 / 031 (kaiš 16)	32	16	6F	AL	100.00	21	31	65	10	32
AT10, z=036 / 031 (kaiš 16)	36	16	6F	AL	112.75	21	31	70	10	35
AT10, z=040 / 031 (kaiš 16)	40	16	6F	AL	125.45	21	31	80	10	40
AT10, z=044 / 031 (kaiš 16)	44	16	6	AL	138.20	21	31	88	10	46
AT10, z=048 / 031 (kaiš 16)	48	16	6	AL	150.95	21	31	95	16	48
AT10, z=060 / 031 (kaiš 16)	60	16	6	AL	189.10	21	31	110	16	60
Profil: AT10 Korak: 10 mm Širina kaiša: 25 mm	Broj zuba Z	Širina kaiša (mm)	Tip	Mate-rijal	D <sub>e</sub> (mm)	F (mm)	L (mm)	D <sub>m</sub> (mm)	d (mm)	d <sub>max</sub> (mm)
AT10, z=015 / 040 (kaiš 25)	15	25	6F	AL	45.90	30	40	31	8	18
AT10, z=016 / 040 (kaiš 25)	16	25	6F	AL	49.05	30	40	35	8	20
AT10, z=018 / 040 (kaiš 25)	18	25	6F	AL	55.45	30	40	40	8	22
AT10, z=019 / 040 (kaiš 25)	19	25	6F	AL	58.60	30	40	44	8	22
AT10, z=020 / 040 (kaiš 25)	20	25	6F	AL	61.80	30	40	46	8	24
AT10, z=022 / 040 (kaiš 25)	22	25	6F	AL	68.15	30	40	52	8	28
AT10, z=024 / 040 (kaiš 25)	24	25	6F	AL	74.55	30	40	58	8	30
AT10, z=025 / 040 (kaiš 25)	25	25	6F	AL	77.70	30	40	60	8	30
AT10, z=026 / 040 (kaiš 25)	26	25	6F	AL	80.90	30	40	60	8	30
AT10, z=027 / 040 (kaiš 25)	27	25	6F	AL	84.10	30	40	60	8	30
AT10, z=028 / 040 (kaiš 25)	28	25	6F	AL	87.25	30	40	60	8	30
AT10, z=030 / 040 (kaiš 25)	30	25	6F	AL	93.65	30	40	60	8	30
AT10, z=032 / 040 (kaiš 25)	32	25	6F	AL	100.00	30	40	65	10	32
AT10, z=036 / 040 (kaiš 25)	36	25	6F	AL	112.75	30	40	70	10	35
AT10, z=040 / 040 (kaiš 25)	40	25	6F	AL	125.45	30	40	80	10	40
AT10, z=044 / 040 (kaiš 25)	44	25	6	AL	138.20	30	40	88	10	46
AT10, z=048 / 040 (kaiš 25)	48	25	6	AL	150.95	30	40	95	16	48
AT10, z=060 / 040 (kaiš 25)	60	25	6	AL	189.10	30	40	110	16	60
Profil: AT10 Korak: 10 mm Širina kaiša: 32 mm	Broj zuba Z	Širina kaiša (mm)	Tip	Mate-rijal	D <sub>e</sub> (mm)	F (mm)	L (mm)	D <sub>m</sub> (mm)	d (mm)	d <sub>max</sub> (mm)
AT10, z=018 / 047 (kaiš 32)	18	32	6F	AL	55.45	37	47	40	10	22
AT10, z=019 / 047 (kaiš 32)	19	32	6F	AL	58.60	37	47	44	10	22
AT10, z=020 / 047 (kaiš 32)	20	32	6F	AL	61.80	37	47	46	12	24
AT10, z=022 / 047 (kaiš 32)	22	32	6F	AL	68.15	37	47	52	12	28
AT10, z=024 / 047 (kaiš 32)	24	32	6F	AL	74.55	37	47	58	12	30
AT10, z=025 / 047 (kaiš 32)	25	32	6F	AL	77.70	37	47	60	12	30
AT10, z=026 / 047 (kaiš 32)	26	32	6F	AL	80.90	37	47	60	12	30
AT10, z=027 / 047 (kaiš 32)	27	32	6F	AL	84.10	37	47	60	12	30
AT10, z=028 / 047 (kaiš 32)	28	32	6F	AL	87.25	37	47	60	12	30
AT10, z=030 / 047 (kaiš 32)	30	32	6F	AL	93.65	37	47	60	12	30
AT10, z=032 / 047 (kaiš 32)	32	32	6F	AL	100.00	37	47	65	12	32

AT10, z=036 / 047 (kaiš 32)	36	32	6F	AL	112.75	37	47	70	16	35
AT10, z=040 / 047 (kaiš 32)	40	32	6F	AL	125.45	37	47	80	16	40
AT10, z=044 / 047 (kaiš 32)	44	32	6	AL	138.20	37	47	88	16	46
AT10, z=048 / 047 (kaiš 32)	48	32	6	AL	150.95	37	47	95	16	48
AT10, z=060 / 047 (kaiš 32)	60	32	6	AL	189.10	37	47	110	16	60
<b>Profil: AT10</b>	<b>Broj zuba Z</b>	<b>Širina kaiša (mm)</b>	<b>Tip</b>	<b>Mate-rijal</b>	<b>D<sub>e</sub> (mm)</b>	<b>F (mm)</b>	<b>L (mm)</b>	<b>D<sub>m</sub> (mm)</b>	<b>d (mm)</b>	<b>d<sub>max</sub> (mm)</b>
<b>Korak: 10 mm</b>										
<b>Širina kaiša: 50 mm</b>										
AT10, z=018 / 066 (kaiš 50)	18	50	6F	AL	55.45	56	66	40	10	22
AT10, z=019 / 066 (kaiš 50)	19	50	6F	AL	58.60	56	66	44	10	22
AT10, z=020 / 066 (kaiš 50)	20	50	6F	AL	61.80	56	66	46	12	24
AT10, z=022 / 066 (kaiš 50)	22	50	6F	AL	68.15	56	66	52	12	28
AT10, z=024 / 066 (kaiš 50)	24	50	6F	AL	74.55	56	66	58	12	30
AT10, z=025 / 066 (kaiš 50)	25	50	6F	AL	77.70	56	66	60	12	30
AT10, z=026 / 066 (kaiš 50)	26	50	6F	AL	80.90	56	66	60	12	30
AT10, z=027 / 066 (kaiš 50)	27	50	6F	AL	84.10	56	66	60	12	30
AT10, z=028 / 066 (kaiš 50)	28	50	6F	AL	87.25	56	66	60	12	30
AT10, z=030 / 066 (kaiš 50)	30	50	6F	AL	93.65	56	66	60	12	30
AT10, z=032 / 066 (kaiš 50)	32	50	6F	AL	100.00	56	66	65	12	32
AT10, z=036 / 066 (kaiš 50)	36	50	6F	AL	112.75	56	66	70	16	35
AT10, z=040 / 066 (kaiš 50)	40	50	6F	AL	125.45	56	66	80	16	40
AT10, z=044 / 066 (kaiš 50)	44	50	6	AL	138.20	56	66	88	16	46
AT10, z=048 / 066 (kaiš 50)	48	50	6	AL	150.95	56	66	95	16	48
AT10, z=060 / 066 (kaiš 50)	60	50	6	AL	189.10	56	66	110	16	60

[NAZAD NA PONUDU](#)[KUPI U ONLINE SHOP-U](#)